

Bronze Globe Valve

Fig. 5612

Specification:

Design Standard: MSS SP-80
 Screwed Bonnet · Solid Wedge Disc
 Rising Stem · Integral Gasket - Non-Asbestos
 Thread: BS 21 (ISO7) / ASME B1.20.1
 Size Range: 15mm (1/2") to 50mm (2")
 Test Standard: GB/T 13927

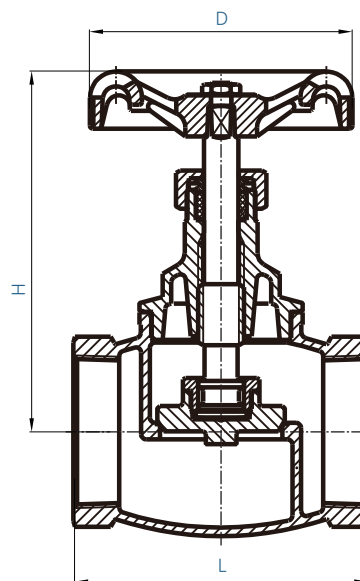
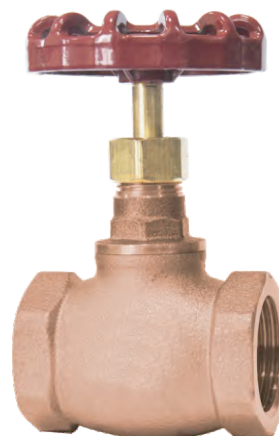
Technical Parameters:

Working Pressure: 300 psi (20.7 bar) Water (non-shock)
 150 psi (10.3 bar) Saturated Steam
 Test Pressure: Shell: 450 psi (31 bar) Water (static)
 Seat: 330 psi (22.7 bar) Water (static)
 80 psi (5.5 bar) Gas
 Service Media: Water, Oil, Gas

Material:

Part	Materials	Specification
Body	Bronze	B62 C83600
Bonnet	Bronze	B62 C83600
Disc	Bronze	B62 C83600
Stem	Brass	B453 C35330
Packing	PTFE	/
Packing Nut	Brass	B124 C37700
Gasket	Brass	B124 C37700
Handwheel	Aluminum	/

Schematic:



Dimensional:

DN	mm	15	20	25	32	40	50
	inch	1/2	3/4	1	1-1/4	1-1/2	2
L		53.6	58.5	71	77	93	109
H		46.5	54.5	60.5	68	82.5	94.5
d1		Ø14.5	Ø20	Ø25	Ø30	Ø38	Ø50
F		90	100	120.5	120.5	148	145
BSP/NPT		1/2"	3/4"	1"	1-1/4"	1-1/2"	2"

Note: WARCO reserves the right to change dimensions .