

Brass Ball Valve

Fig. 4211

Specification:

Design Standard: GB/T 8464
 Threaded Body & Bonnet · Full Port
 Blowout-Proof Stem · PTFE Seats
 Thread: BS 21 (ISO7) / ASME B1.20.1
 Size Range: 15mm (1/2") to 100mm (4")
 Test Standard: GB/T 13927

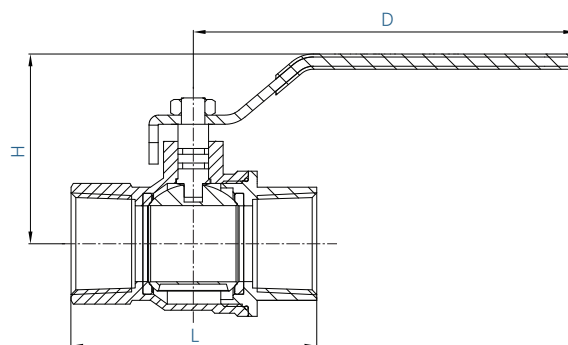
Technical Parameters:

Working Pressure: 600 psi (41.3 bar) Water (non-shock)
 150 psi (10.3 bar) Saturated Steam
 Test Pressure: Shell: 900 psi (62 bar) Water (static)
 Seat: 660 psi (45.5 bar) Water (static)
 80 psi (5.5 bar) Gas
 Service Media: Water, Oil, Gas

Material:

Part	Materials	Specification
Body	Brass	HPb59-1
Seal	PTFE	/
Ball	Brass	HPb57-3
Bonnet	Brass	HPb59-1
Packing Gland	PTFE	/
Stem	Brass	HPb57-3
Gland Nut	Brass	HPb57-3
Handle	CS	Q235
Handle Nut	CS	Q235

Schematic:



Dimensions:

DN	mm	15	20	25	32	40	50
	inch	1/2	3/4	1	1-1/4	1-1/2	2
L(mm)		49.5	58	66	77	86.5	96
L1 (mm)		10.5	13	14	14.5	17	18
H(mm)		50	52.5	57.5	70	74	77
d(mm)		Ø13	Ø17	Ø22	Ø27	Ø32	Ø40
F(mm)		90	99	99	134	134	143
BSP/NPT		1/2"	3/4"	1"	1-1/4"	1-1/2"	2"

Note: WARCO reserves the right to change dimensions .