

Brass Air Vent Valve

Fig. 7911

Specification:

Design standard:
 threaded bonnet • rotating disk
 lift stem • non asbestos
 Thread standard: BS 21 (ISO7) / ASME B1.20.1
 Dimension: 15mm(1/2")~25mm(1")
 Test standard: GB/T13927

Technical parameter:

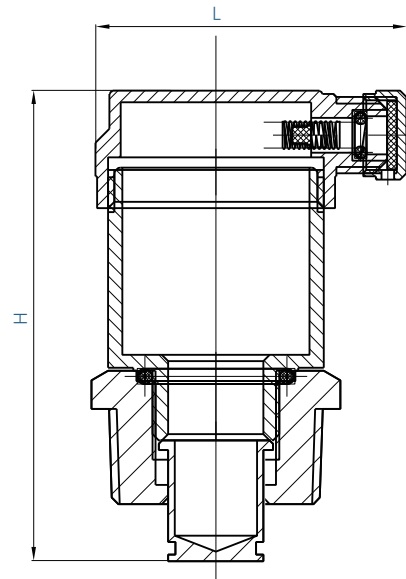
Work pressure: 232 psi (16 bar) water (no flush)
 Test pressure: Shell: 348 psi (24 bar)water(static)
 Seal: 255 psi (17.6 bar) water(static)
 80 psi (5.5 bar) gas

Use content: water

Material Specification:

Part	Materials	Specification
Filter hood	Brass	HPb57-3
O-ring	NBR	/
Filter screen	Stainless steel	304
Spring	Stainless steel	304
Hexagonal hat	Brass	HPb57-3
O-ring	NBR	/
Body	Brass	HPb57-3
Float	ABS	/
Cover	Brass	HPb57-3
Gasket	NBR	/
Connecting rod	Brass	HPb57-3
Sealing plug	NBR	/
Spring	Stainless steel	SS304
Plug	Brass	HPb57-3
O-ring	NBR	/
Hole cover	Brass	HPb57-3
O-ring	NBR	/

Schematic:



Dimension:

DN	mm	15	20	25
	inch	1/2	3/4	1
L(mm)		47	47	47
H(mm)		69	70.5	72
BSP/NPT		1/2	3/4	1

Note: WARCO reserves the right to change dimensions .