

Bronze Ball Valve

Fig. 4212

Specification:

Design Standard: MSS SP-110
 Threaded Body & Bonnet · Full Port
 Blowout-Proof Stem · PTFE Seats
 Thread: BS 21 (ISO7) / ASME B1.20.1
 Size Range: 8mm (1/4") to 100mm (4")
 Test Standard: GB/T 13927

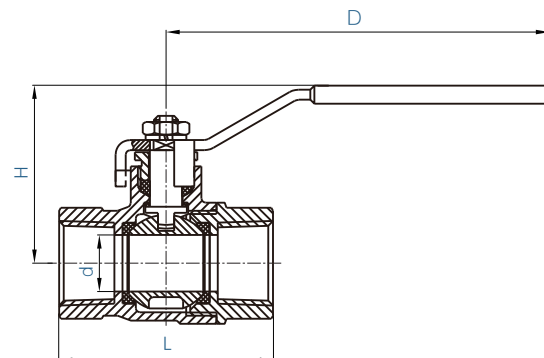
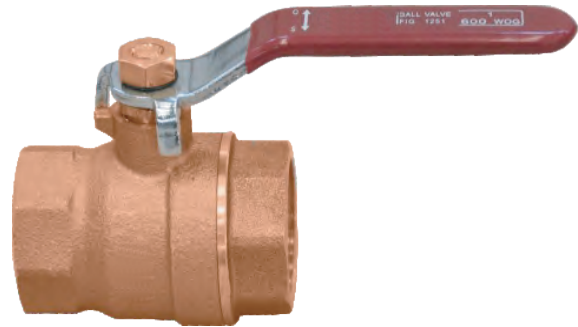
Technical Parameters:

Working Pressure: 600 psi (41.3 bar) Water (non-shock)
 150 psi (10.3 bar) Saturated Steam
 Test Pressure: Shell: 900 psi (62 bar) Water (static)
 Seat: 660 psi (45.5 bar) Water (static)
 80 psi (5.5 bar) Gas
 Service Media: Water, Oil, Gas

Material:

| Part | Materials | Specification |
|---------------|-----------------|-------------------------|
| Body | Bronze | B62 C83600/ 1982 CC491K |
| Seal | PTFE | / |
| Ball | Brass | HPb57-3 |
| Bonnet | Bronze | B62 C83600/ 1982 CC491K |
| O-Ring | EPDM | / |
| Packing Gland | PTFE | / |
| Stem | Brass | HPb57-3 |
| Gland Nut | Brass | HPb57-3 |
| Handle | STEEL | / |
| Handle Nut | Stainless Steel | SS304 |

Schematic:



Dimensions:

| DN | mm | 15 | 20 | 25 | 32 | 40 | 50 |
|---------|------|-------|------|-------|--------|--------|------|
| | inch | 1/2 | 3/4 | 1 | 1-1/4 | 1-1/2 | 2 |
| L | | 53.6 | 58.5 | 71 | 77 | 93 | 109 |
| H | | 46.5 | 54.5 | 60.5 | 68 | 82.5 | 94.5 |
| d1 | | Ø14.5 | Ø20 | Ø25 | Ø30 | Ø38 | Ø50 |
| D | | 90 | 100 | 120.5 | 120.5 | 148 | 145 |
| BSP/NPT | | 1/2" | 3/4" | 1" | 1-1/4" | 1-1/2" | 2" |