

Bronze Non-Rising Stem Gate Valve

Fig. 5312

Specification:

Design Standard: MSS SP-80
 Screwed Bonnet · Solid Wedge · Non-Rising Stem
 Integral Gasket - Non-Asbestos
 Thread: BS 21 (ISO7) / ASME B1.20.1
 Size Range: 15mm (1/2") ~ 100mm (4")
 Test Standard: GB/T 13927

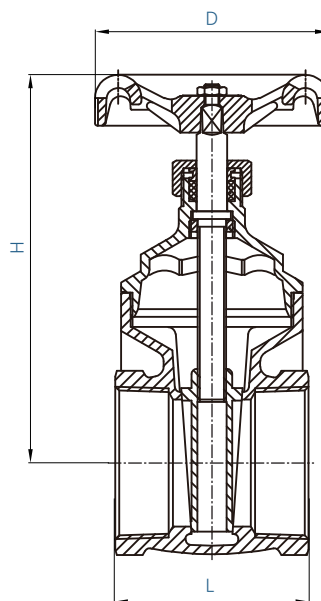
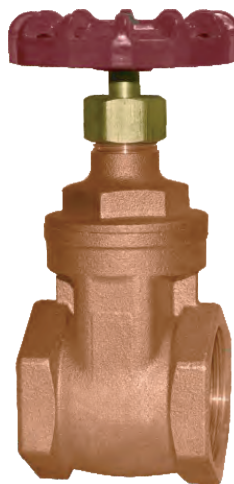
Technical parameter:

Working Pressure: 300 psi (20.7 bar) Water (non-shock)
 150 psi (10.3 bar) Saturated Steam
 Test Pressure: Shell: 450 psi (31 bar) Water (static)
 Seat: 330 psi (22.7 bar) Water (static)
 80 psi (5.5 bar) Gas
 Fluid Compatibility: Water, Oil, Gas

Material:

Part	Materials	Specification
Body	Bronze	B62 C83600/ 1982 CC491K
Gate	Bronze	B62 C83600/ 1982 CC491K
Seal Ring	PTFE	/
Bonnet	Bronze	/
Stem Nut	Brass	HPb57-3
O-Ring	EPDM	/
Packing Glm	PTFE	/
Brass Ring	Brass	HPb57-3
Gland Nut	Brass	HPb57-3
Stem	Brass	HPb57-3
Handlewheel	CI	HT200
Name Plate	AL	/
Handl Nut	Stainless Steel	SS304

Schematic:



Dimensions:

DN	mm	15	20	25	32	40	50
	inch	1/2	3/4	1	1-1/4	1-1/2	2
L		46	51	56	61	62	71
H		71	79	92	106	121	137
D		53	58	65	71	86	90

Note: WARCO reserves the right to change dimensions .