

# Wafer Type Dual Plate Check Valve

Fig. 6230

## Specification

Design in accordance with DIN 3202 K3,API594  
 Flanges comply with EN1092-2,ISO7005,ANSI B16.5, GB/T 9119.  
 Pressure test according to standards GB/T13927, EN12266-1,DIN3230,ISO5208.

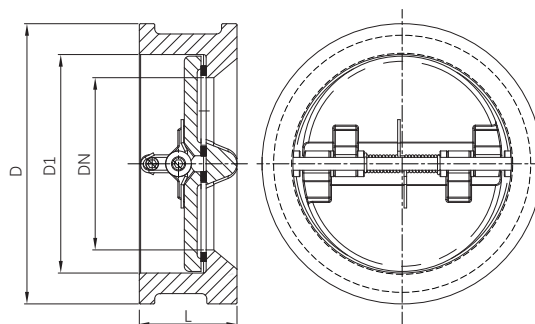
## Technical data

Working Pressure:16bar  
 Dimensions:DN50~DN300  
 Test Pressure:Shell:24bar  
                   Seal:17.6bar  
 Working Temperature:-20°C ~ 110°C EPDM Seat  
                           -10°C ~ 80°C NBR Seat

## Material Specifications

Part Name	Materials	Specification
Body	Cast Iron Ductile Iron	A126 Class B A536 65-45-12
Disc	Ductile Iron Stainless Steel	A536 65-45-12 A351 CF8
Stem	Stainless Steel	A276 410
Washer	EPDM,NBR	-
Spring	Stainless Steel	A276 304
Eyebolt	Carbon Steel	(≥DN200)

## Schematic



## Dimensions

DN	mm	50	65	80	100	125	150	200	250	300	350	400	450	500	600
	inch	2	2-1/2	3	4	5	6	8	10	12	14	16	18	20	24
L		46	48	65	65	71	79	92	114	114	129	143	145	145	165
D		107	127	142	162	192	219	273	328	378	443	489	542	590	695
D1		65	80	94	117	145	170	224	265	310	360	410	450	505	624

WARCO reserves the right to change dimensions without notice.